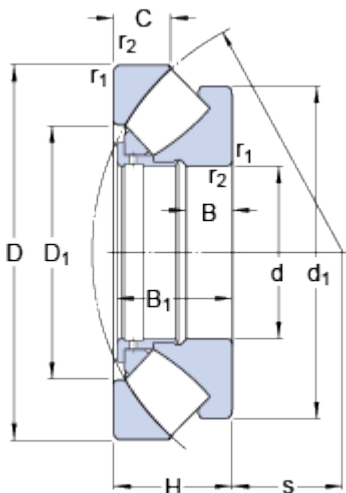


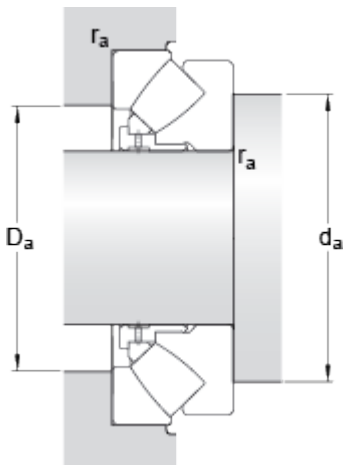
# 29272

## Dimensions



$d$	360	mm
$D$	500	mm
$H$	85	mm
$d_1$	≈ 485	mm
$D_1$	≈ 423	mm
$B$	25	mm
$B_1$	81	mm
$C$	44	mm
$s$	195	mm
$r_{1,2}$	min. 4	mm

## Abutment dimensions



$d_a$	min. 430	mm
$D_a$	max. 453	mm
$r_a$	max. 3	mm

## Calculation data

Basic dynamic load rating	$C$	1460	kN
Basic static load rating	$C_0$	6800	kN
Fatigue load limit	$P_u$	585	kN
Reference speed		750	r/min
Limiting speed		1200	r/min
Minimum axial load factor	$A$	4.4	

## Mass

Mass bearing		52	kg
--------------	--	----	----